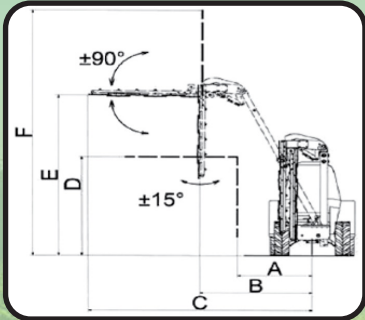


The ORP tree pruner is ideal for top and side pruning, skirting, or hedge row maintenance in a variety of orchard and nursery settings, including high density areas. The frame has 4 hydraulic movements controlled by a proportional joystick, allowing for optimal maneuverability and precision when pruning. Its saw disk bars can handle branches up to 4" thick. All units include an independent hydraulic kit with oil cooler, providing the appropriate oil flow for the cutting bars.



MODEL	A	B	C	D	E	F
ORP 6+4	51"	98"	153"	86"	157"	212"
ORP 6+6	51"	98"	177"	86"	157"	236"



MODEL	Top Bar	Top Blades	Bottom Blades	Weight	Tractor Weight	Engine Power
ORP 6+4	55"	6	4	881 lbs	5500 lbs	70 HP
ORP 6+6	78"	6	6	925 lbs	6100 lbs	80 HP